

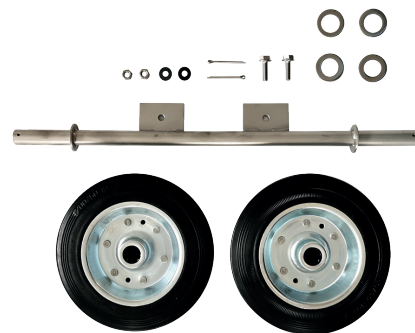
Assembly Instructions

Axle and wheel assembly on the ACC 4 Transport Case

A

Retro fit wheels-kit consisting of:

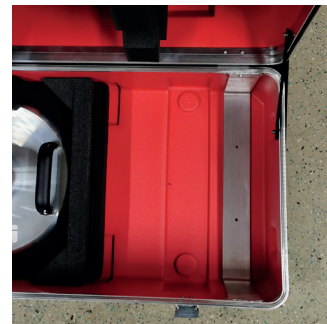
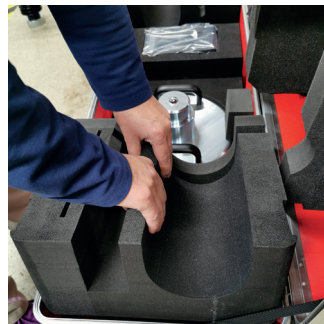
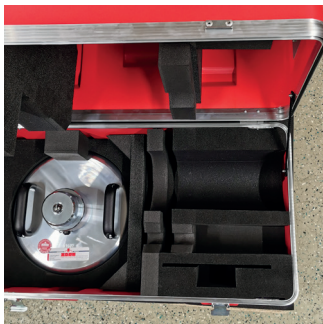
- Axle for transport box (1x)
- Wheel for transport box (2x)
- Split pin (2x)
- Flat gasket EPDM 65 size 8x18x2 mm (2x)
- Hexagon head screw with flange DIN 6921 M8 x 25 (2x)
- Washer DIN 125 21x37x3 A2 (4x)
- Hexagon nut with clamping part DIN 985 M8 A2 (2x)



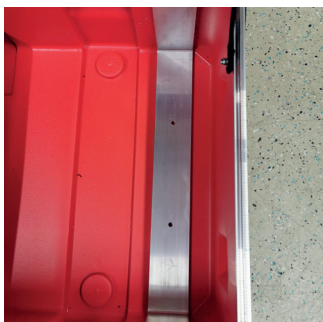
B

Preparation of the ACC 4 Case:

1. Take out the foam.



2. Drill holes at predrilled recesses from the inside to the outside (use an 8 mm drill bit).



C**Mounting the axis:**

1. Place the flat gasket in the recesses provided in the axis.
2. Insert the screws from below through the welded connecting piece of the axis.
3. Place the axis together with the screws in position and guide the screws through the wall of the ACC Transport Case.



4. Secure the screws from the inside with hexagon nuts. Use a 13 mm wrench.
5. View of the outside.

**D****Mounting the wheels:**

1. Slide one washer on each side of the axle.
2. Position one wheel per side on the axle.
3. Slide one washer on each side of the axle again.
4. Thread the end of the split pin through the hole provided and fold it over.



fold it over